

BIO EXAM #3, Thursday 8/17 12:30 P.M.

Know your SID #, your section #, GSI's name and exam location. You will have 80 minutes. No calculator is permitted. Fill in the Scantron blank on the bottom for practice.

BRING: Several sharp #2 pencils & a good eraser (Scantrons will be provided.)

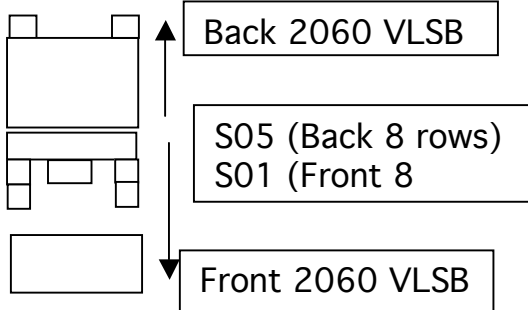
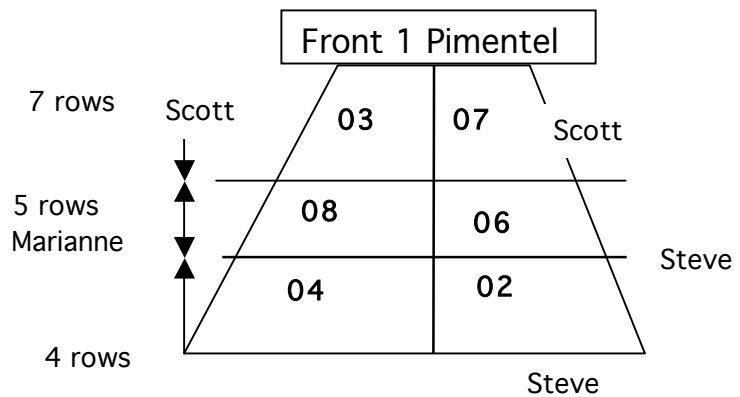
CONTENT and ADVICE: It will cover lectures since special senses.

REVIEWS: Question and answer format. Wed 8/16 3-4 PM in 100 GPBB.

OFFICE HOURS (2084 VLSB): Dr. Gilson: W 2-3, Th 11-12. (2084 VLSB) **Mike's:** W 3-4
All held in 2084 VLSB.

ROOM ASSIGNMENTS: Know the location of your exam before the exam.

	GSI Name	Room #
101	Lew, Helen	2060 VLSB
102	Takata, Steve	1 Pimentel
103	Weitze, Scott	1 Pimentel
104	Dutton, Marianne	1 Pimentel
105	Lew, Helen	2060 VLSB
106	Takata, Steve	1 Pimentel
107	Weitze, Scott	1 Pimentel
108	Dutton, Marianne	1 Pimentel



Seating is assigned by section #, within each room, by row. Seating is every **THIRD** seat (1,4,7, etc). Section numbers are abbreviated, e.g. 106 = 06.

You should write your name on each page of the exam where it requests your name.

SCANTRON FORM

Write in and bubble in your name, SID, and section #. The first 8 boxes of the ID # field are for your SID, the second two for the last 2 digits of your section #. See below.

SCANTRON FORM NO. F-4391 © SCANTRON CORPORATION 1992 ALL RIGHTS RESERVED. 04 M4 2102-999-5 4 3 2 1

1	2	3	4	5	6	7	8	9
0	1	2	3	4	5	6	7	8
0	1	2	3	4	5	6	7	8
0	1	2	3	4	5	6	7	8
0	1	2	3	4	5	6	7	8
0	1	2	3	4	5	6	7	8
0	1	2	3	4	5	6	7	8
0	1	2	3	4	5	6	7	8
0	1	2	3	4	5	6	7	8

Write I.D. Number Here

Mark I.D. Number Here

IMPORTANT
USE NO. 2 PENCIL ONLY
EXAMPLE: A B C D E
ERASE COMPLETELY TO CHANGE

SIDE 1
SID _____
NAME Last, First _____
TEST _____
DATE last 2 digits SECT #. OATE PERIOD GSI name _____